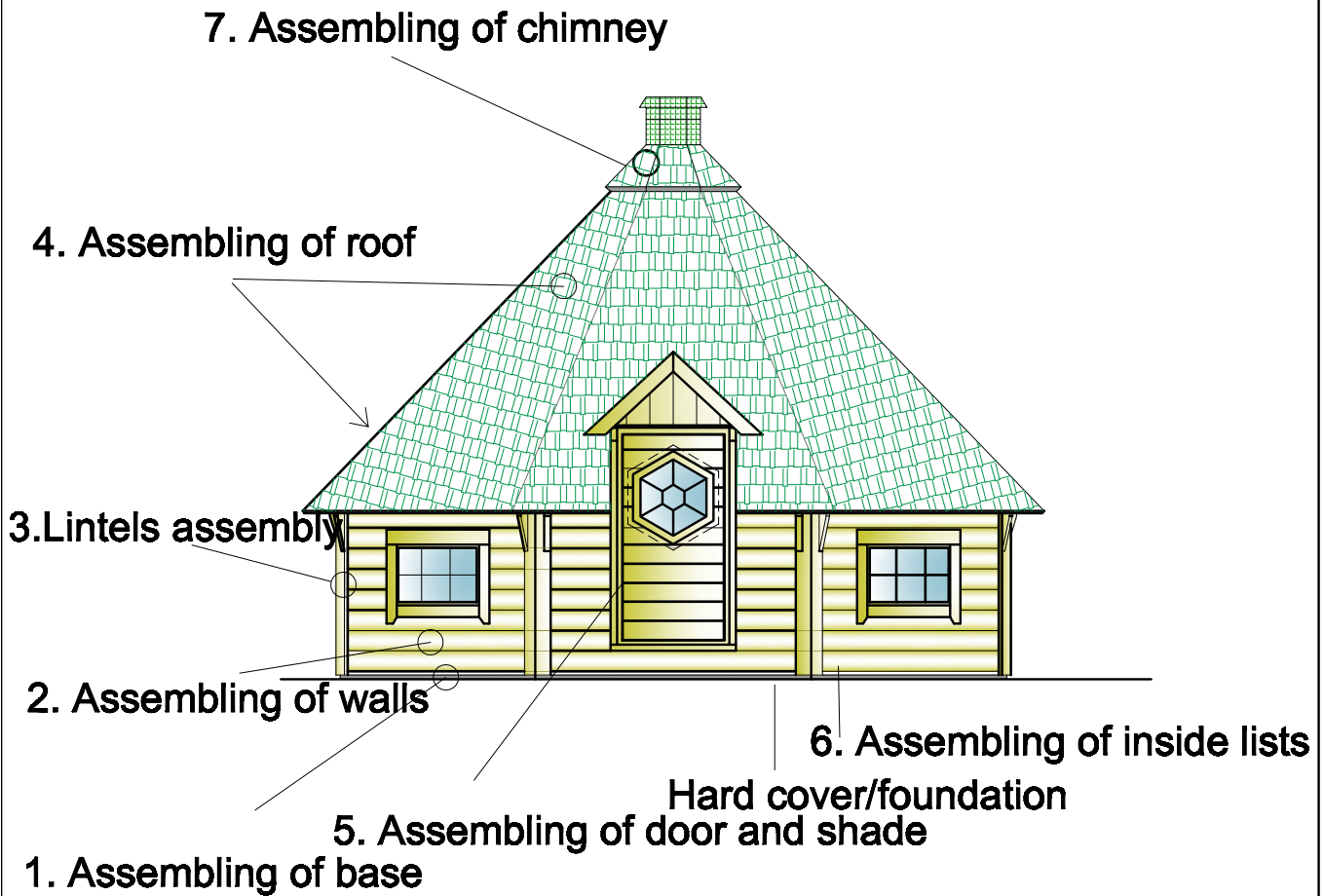


GRILLHOUSE 16,5²

Assembly instruction

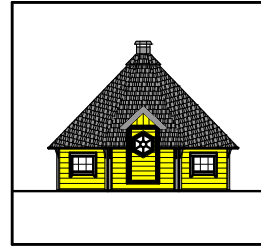


Sparmax AS Verkstedvn. 48, 3516 HØNEFOSS, NORWAY, Tel: +47 4000 1992

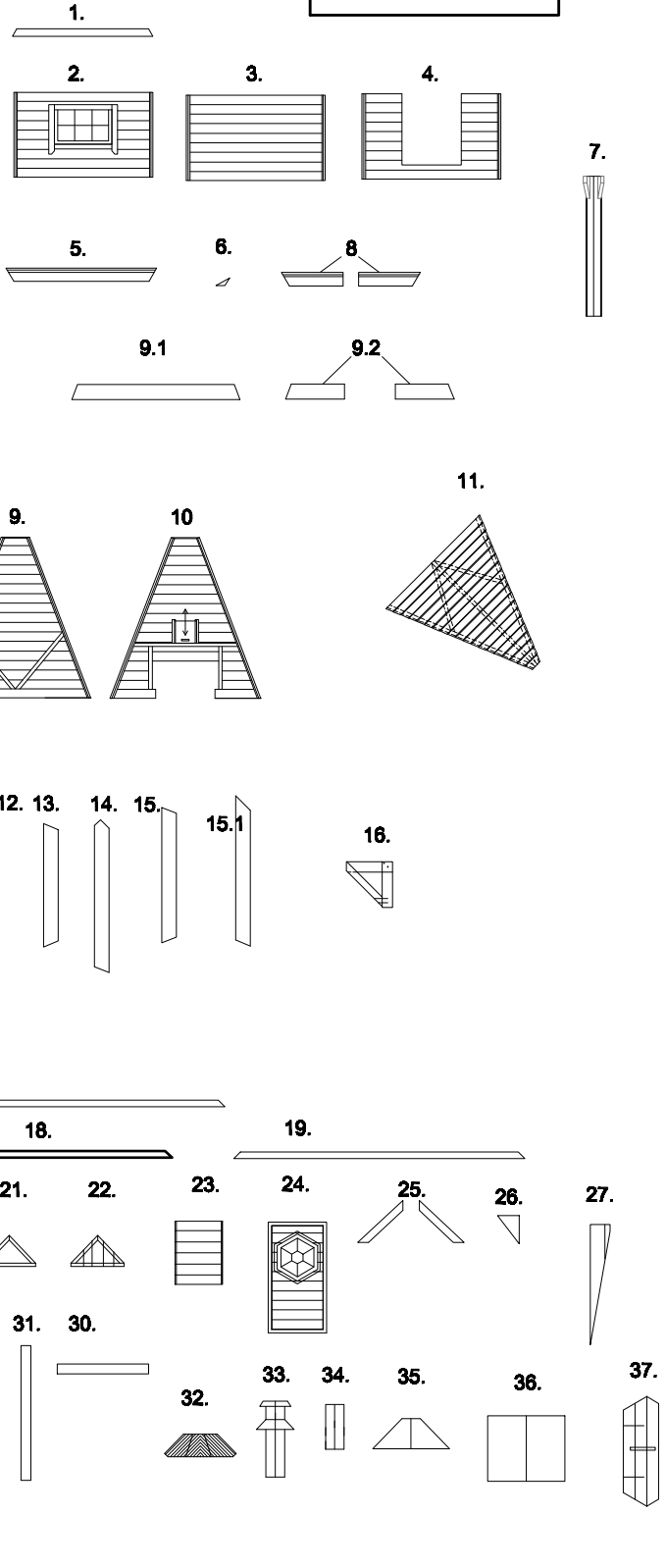


GRILLHOUSE

List of details



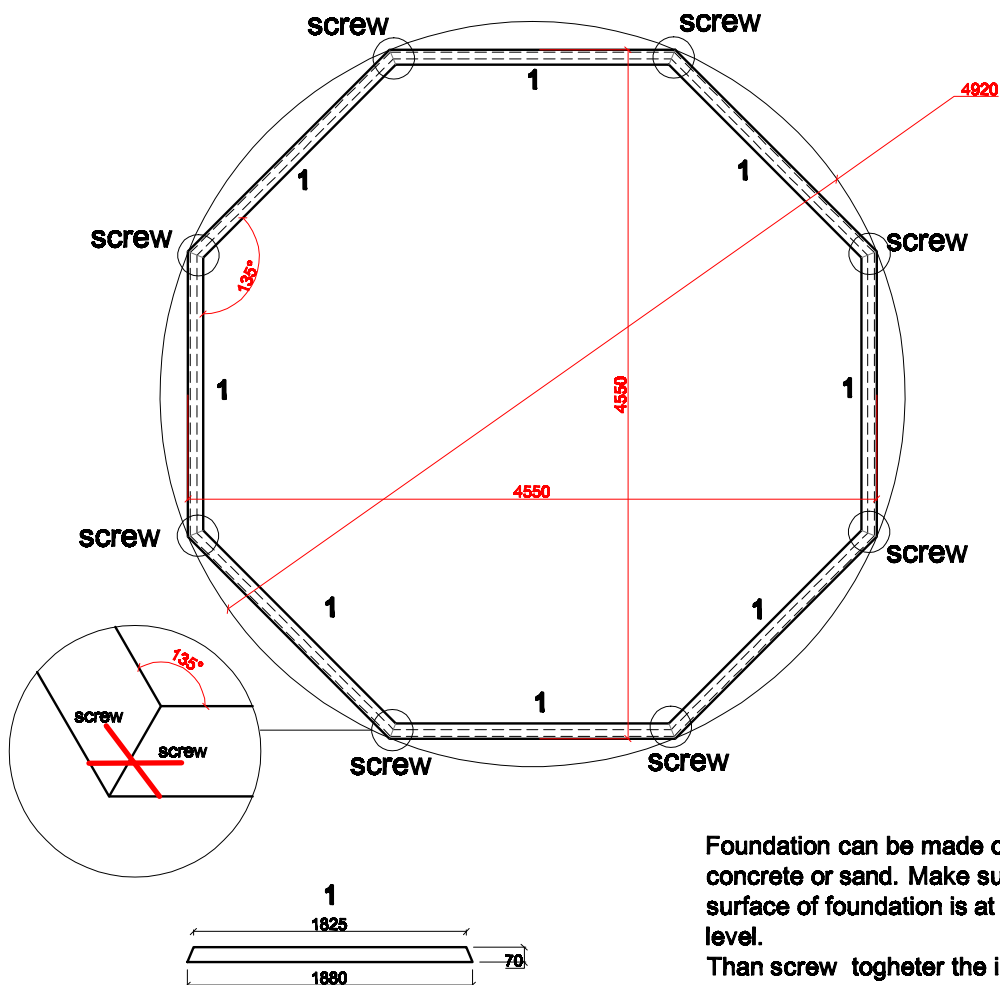
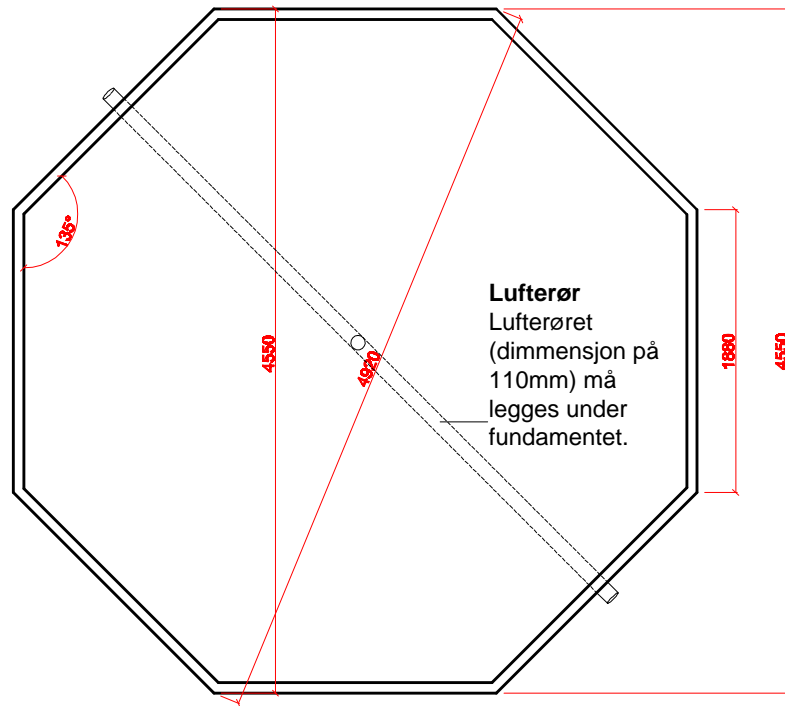
No.	# of details	Description
1.	8	Ground beams
2.	3	Walls without windows
3.	4	Wall with windows
4.	1	Wall (entrance wall)
5.	7	Lintels with groove
6.	8	Corner bricks inside
7.	8	Corner covers outside
8.	2	Lintels for entrance part
9.	7	Roof elements
9.1.	7	Bottom parts of roof
9.2.	2	Bottom parts of roof (entryway)
10.	1	Roof element (entryway)
11.	6	Floor elements
12.	3	Boards for benches
13.	5	Boards for benches
14.	2	Boards for benches
15.	5	Boards for benches
15.1.	2	Boards for benches
16.	19	Legs for benches
17.	3	Support for benches
18.	2	Support for benches
19.	2	Support for benches
20.	2	Roof elements (entryway)
21.	1	Ceiling girder entryway
22.	1	Ceiling girder with panel for entry way
23.	1	Roof above door
24.	1	Door
25.	2	Gable boards above entrance
26.	2	Angles for inside by the door
27.	2	Pillars on both side of door
28.	8	Lints for roof inside
29.	8	Lints for walls inside
30.	1	Inside list for door
31.	2	Inside lints for door
32.	1	Roof hat
33.	1	Chimney
34.	1	Chimney pipe
35.	1	Smoke collector
36.	1	Grill and legs
37.	5	Tables aroun grill
38.	3	Chains



Date _____

Signature _____

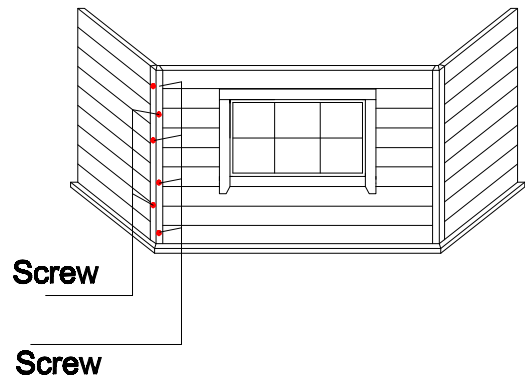
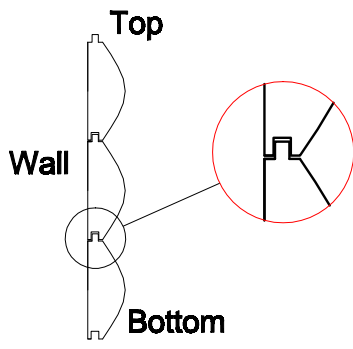
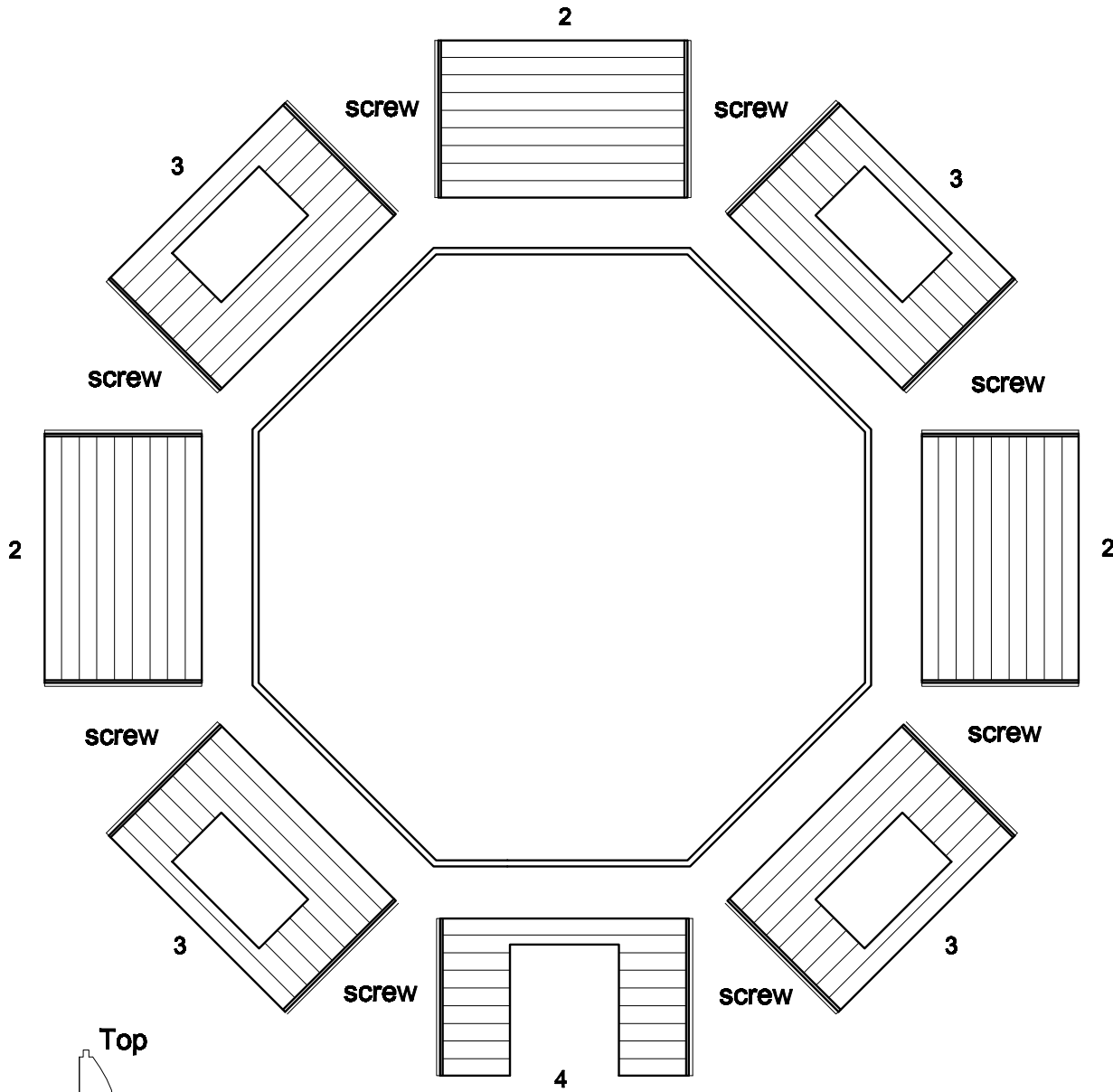
Base assembly Fundaments / foundation



REMARK

No. 1. 8 Ground beams, 16 screww 4x 120mm

Assembly of walls

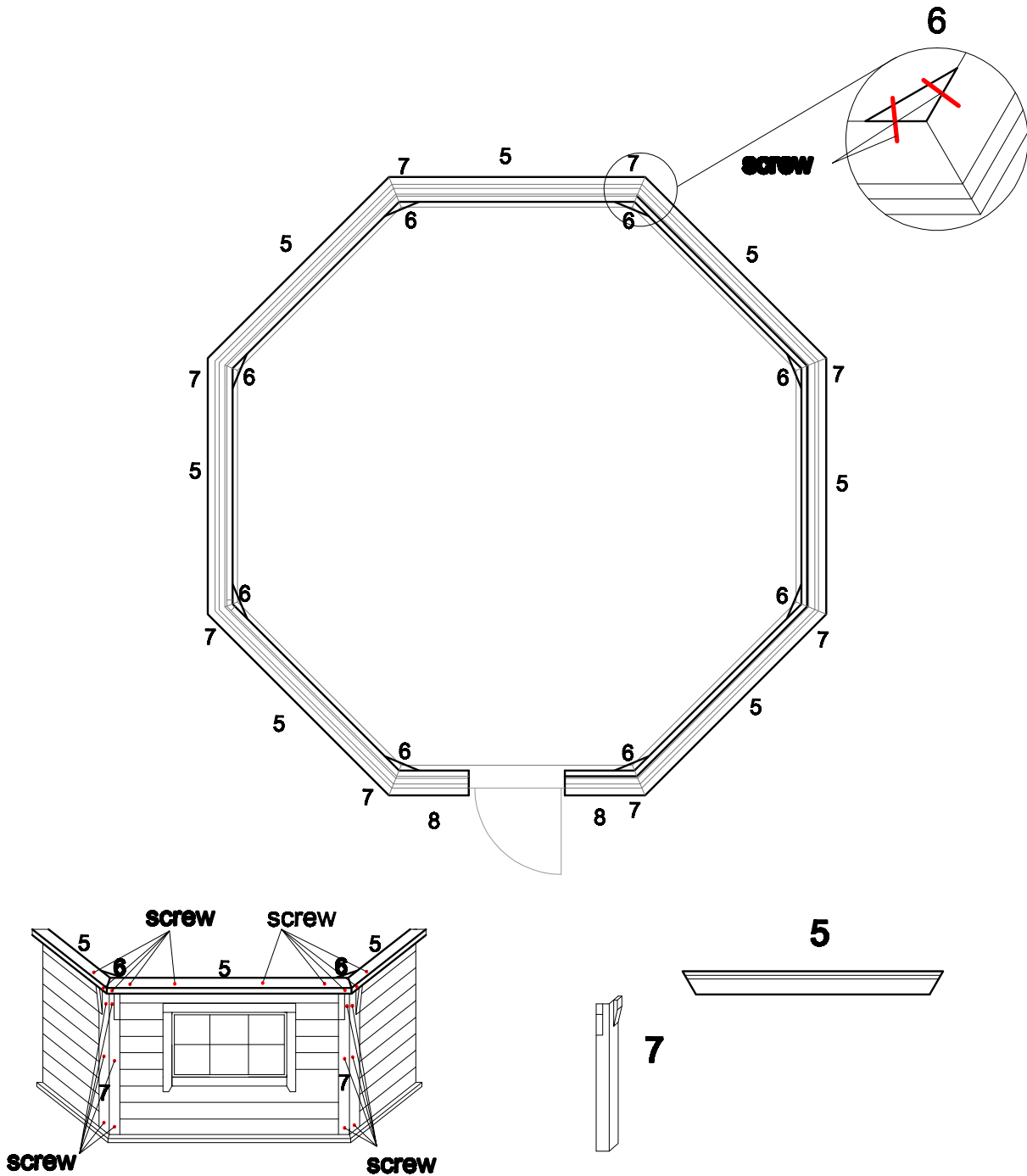


REMARK

- No. 2. 3 walls without windows, screw 4 x 70mm
- No. 3. 4 walls with windows, screw 4 x 70mm
- No. 4. 1 wall (entrance wall), screw 4 x 70mm
- 48 screws 4 x 70mm

Start to assemble the walls with the opposite from the entrance door. Use 6 crews at 4x70 to assemble them together, three from each side, totally 36 screws. Control that the walls are mounted in correct way.

Lintels assembly



REMARK

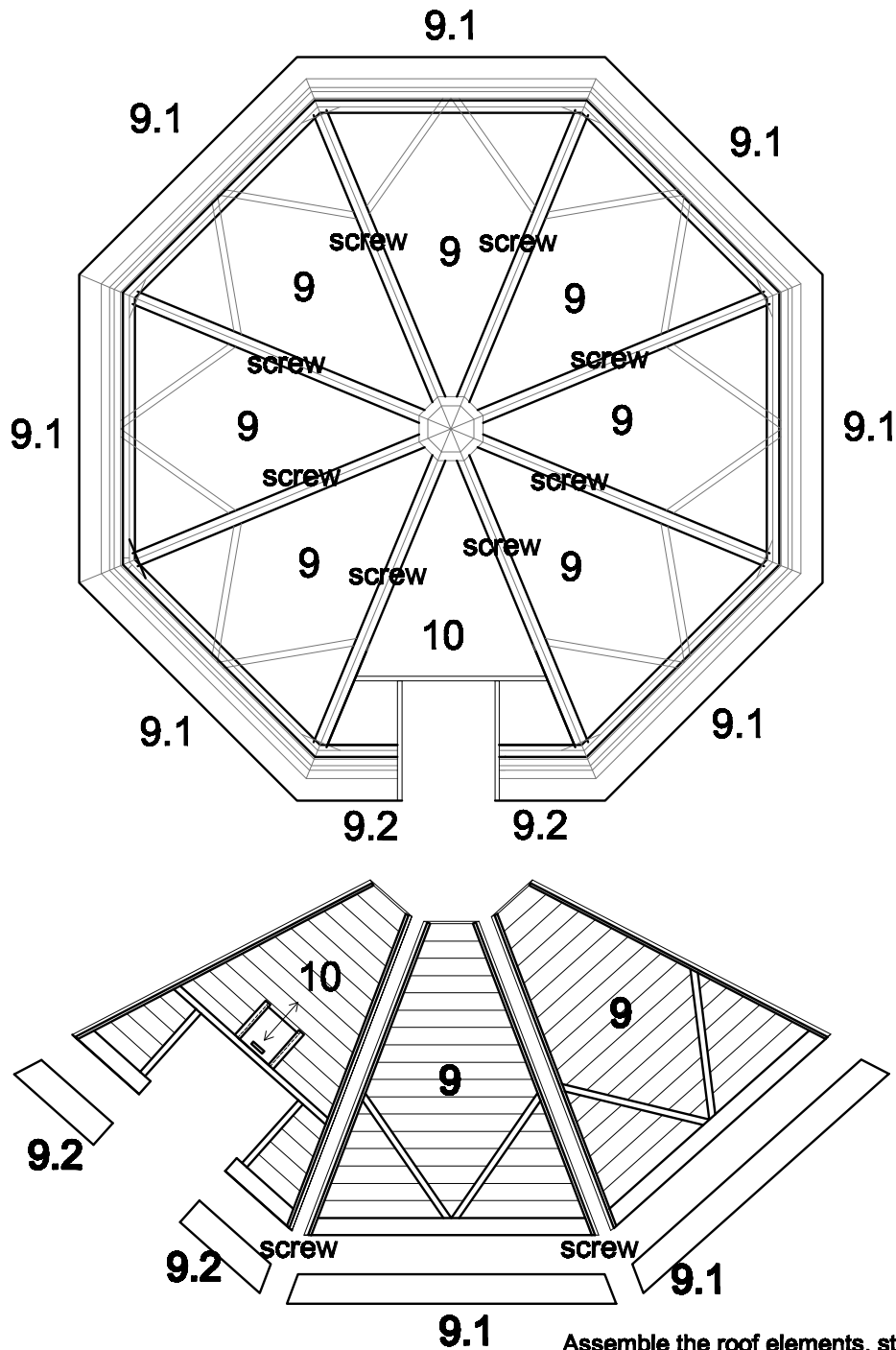
- No. 5. 7 lintels with groove, screw 5 x 120 mm
- No. 6. 8 corner bricks inside, screw 5 x 120 mm
- No. 7. 8 corner covers outside, screw 5 x 120 mm
- No. 8. 2 lintels for entrance part, screw 5x 70 mm

Put lintels on the top of the walls, with the track for roof facing up. Fasten with 4 pcs 5x100 crews from top and down in the wall element.

Put up the corner boards. Use 4x70 screws, totally 4 pcs on each corner. Control that corner boards and walls are at same level.

Put corner bricks with 2 pcs 5 x 60 screws Put corner lists with 6 pcs 4x70 screws. Make sure that the list is placed just under the corner brick.

Roof assembly



REMARK

- No. 9. 7 roof elements, screw 5 x 70 mm
- No. 9.1. 7 bottom parts of roof, screw 5 x 120 mm
- No. 9.2 2 bottom parts of roof (entryway), screw 5 x 120 mm
- No. 10. 1 roof element (entryway), screw 5 x 70 mm

Assemble the roof elements, start with the one opposite to entrance door. Support the walls with materials for the benches. Connect two elements together and then screw the others elements together. Use 6 pcs 4x 70 screws for each connection .

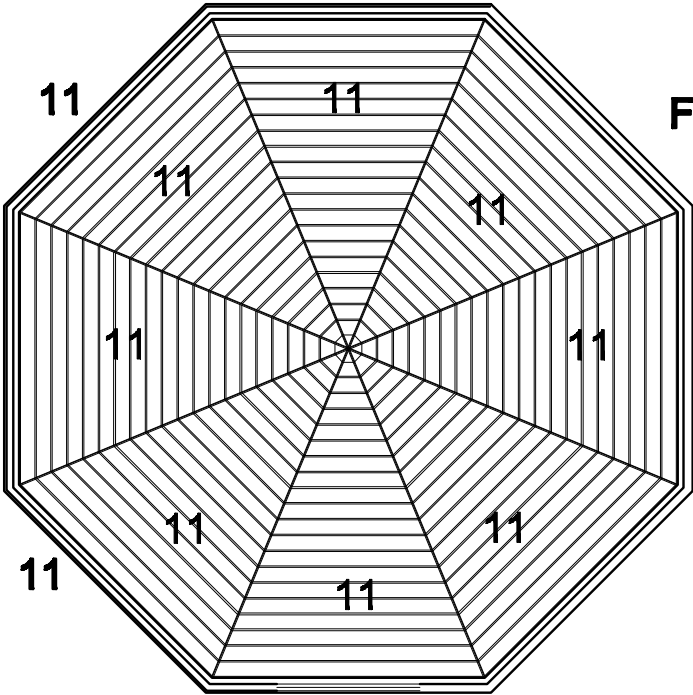
Put on the boards with roofing material, take away the plastic .Wait to put on the two short boards on the entrance side, until the door is in place.

Put on the strip of roofing shingel . Use roofing nails to fasten it.

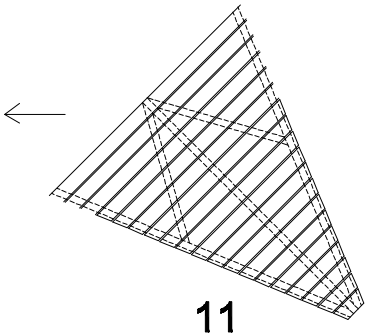
Now you can cut the cross piece in the roof element and wall element.

Adjust lintel and roof element like picture is shown so that the lintel is in line with the roof element.

Floor assembly



Floor on the ground inside

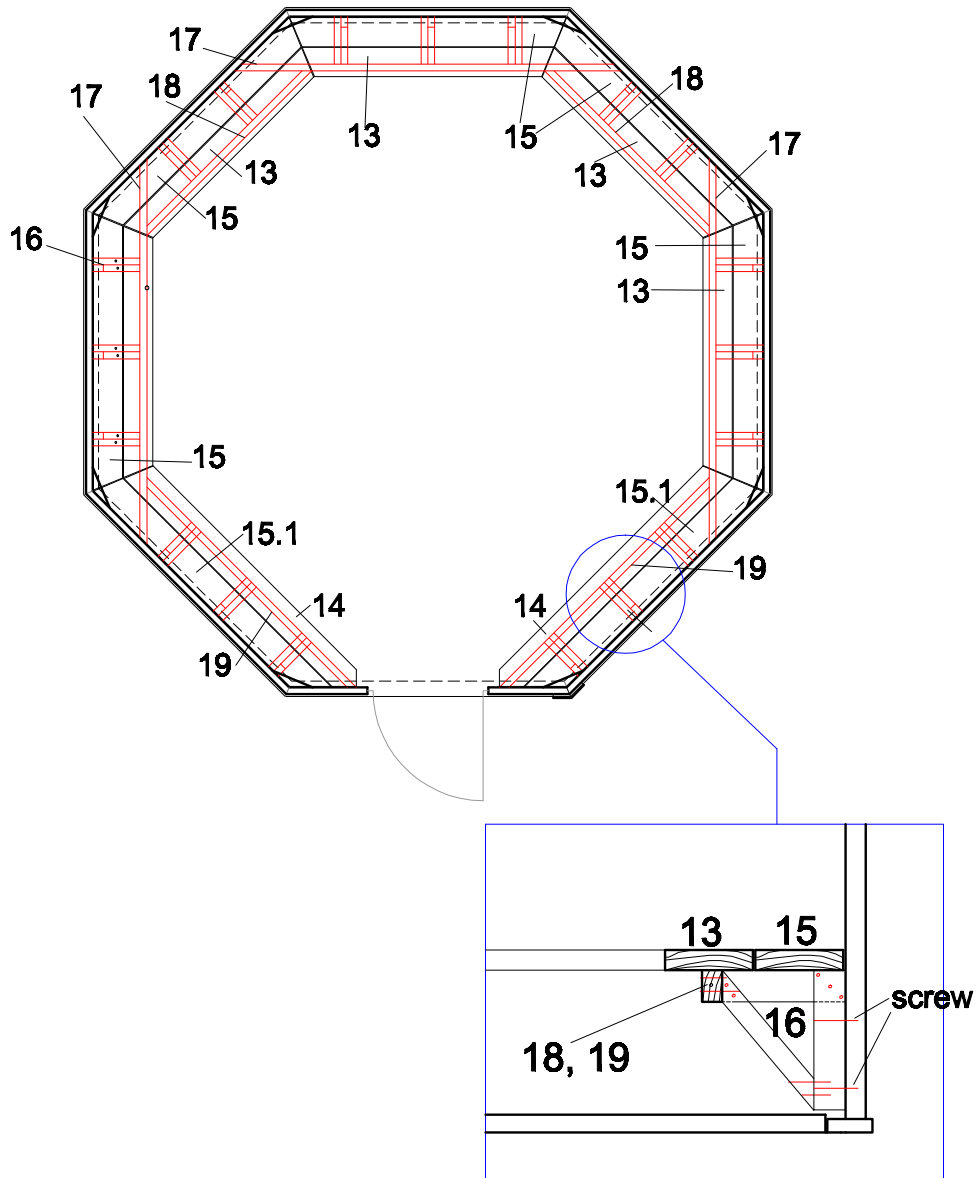


REMARK

No.11 - 8 floor elements

Put on the floor.

Bench assembly



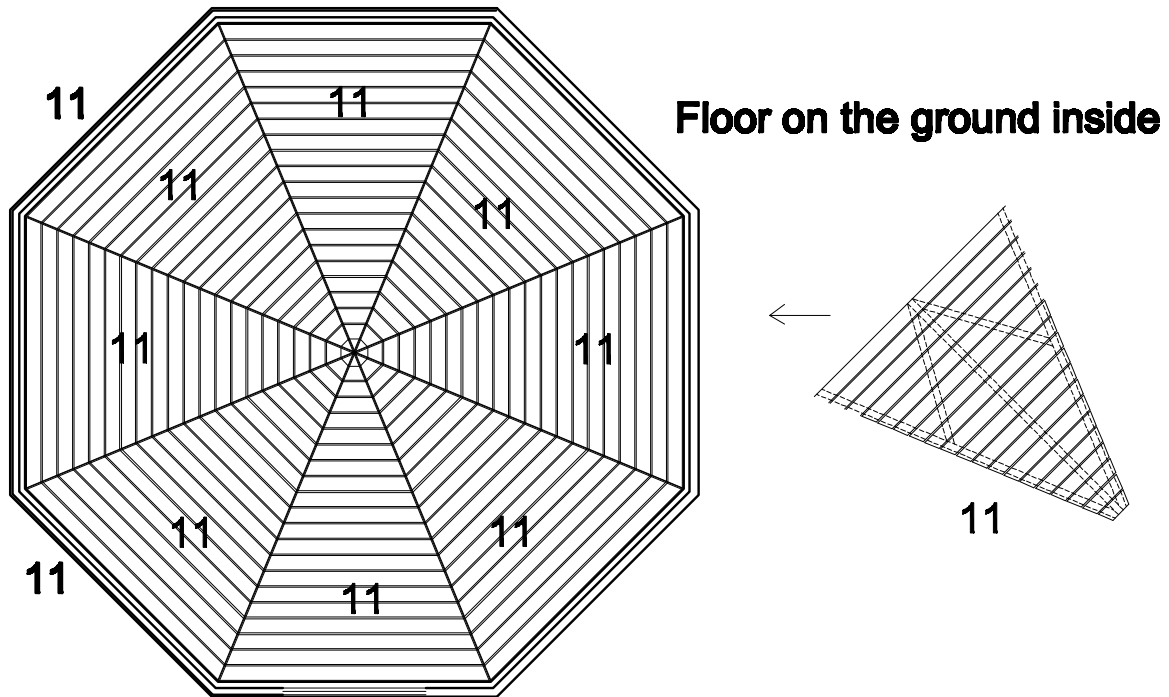
REMARK

- No. 13. 5 boards for benches
- No. 14. 2 boards for benches
- No. 15. 5 boards for benches
- No. 15.1. 2 boards for benches
- No. 16. 19 legs for benches
- No. 17. 3 support for benches
- No. 18. 2 support for benches
- No. 19. 2 support for benches

Assemble the benches (use 5x100 and 4x70 screws).

Use 4x70 screws to fasten the sitting boards, see drawing.

Floor assembly

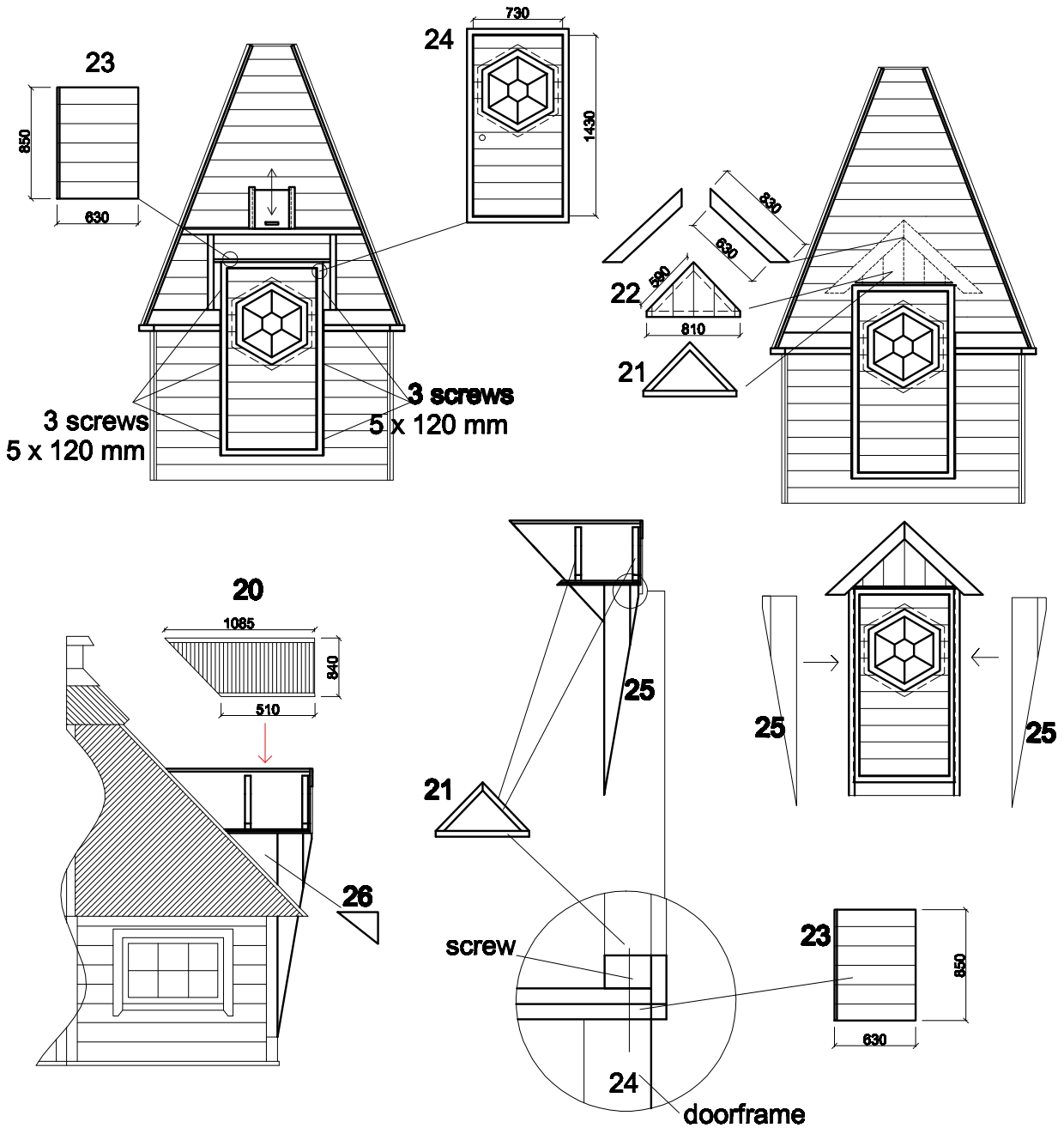


REMARK

No.11 - 8 floor elements

Put on the floor.

Assembly of entrance door and roof



REMARK

- No. 20. - 2 roof elements (entryway), screw 4 x 70 mm**
- No. 21. - 1 ceiling girder entryway , screw 4 x 70 mm**
- No. 22. - 1 ceiling girder with panel for entryway , screw 4 x 70 mm
- No. 23. - 1 roof above door , screw 4 x 70 mm**
- No. 24. - 1 door , screw 6 x 120 mm
- No. 25. - 2 pillars on both side of door , screw 4 x 120 mm**
- No. 26. - 2 triangles on both side of door

Put on the broad slanting door lists to the roof element and wall element by using 4x70 crews.

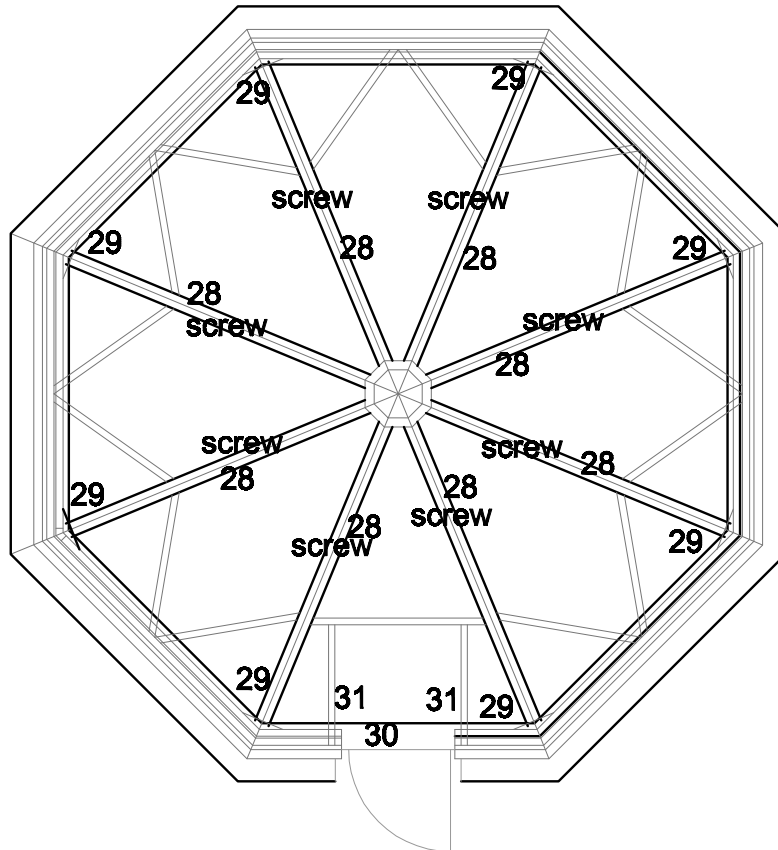
Put the door so it rest the wall in bottom. Control that it's in leve, fasten it. It's recomended to place small grooves between the door and vegg element so you will not pull the frame when fastening it (Insulation around the door is recomended).

Put on the ceiling girder with panel in front. Here you can use 1 pcs 4x70 on each side.

Fasten the roof to the door. Fasten the angel to by the door.

Fasten roof section in both ceiling girders, and put on shingel.

Assembly of list Inside



28



29



31



30



REMARK

No.28 8 lists for roof inside, screw 3.5x 30 mm

No.29 8 lists for walls inside, screw 3.5x 30 mm

No.30 1 inside lists for door, screw 3.5x 30 mm

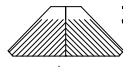
No.31 2 inside list for door, screw 3.5x 30 mm

Put on long lists around roof. Adjust inside lists around the door and walls.

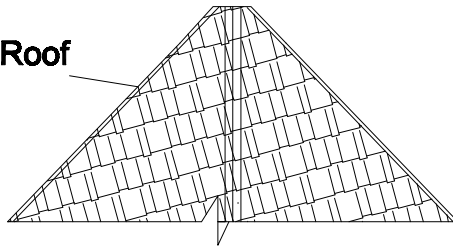
Assembly of chimney and grill

Roof hat

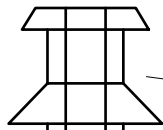
32.



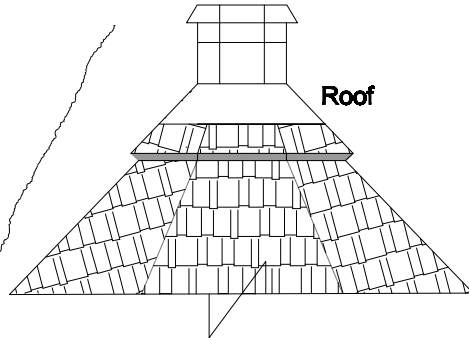
Roof



chimney

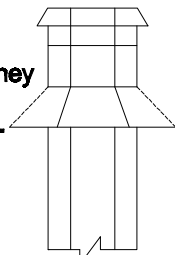


Roof

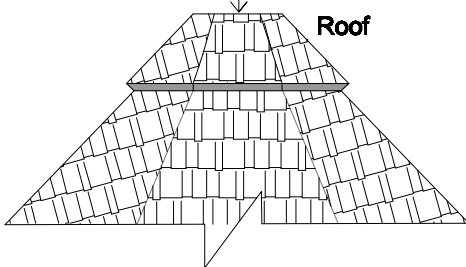


Chimney

33.

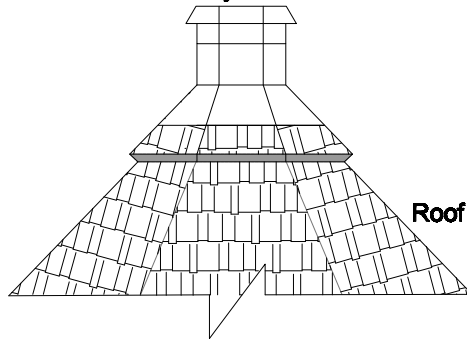


Roof



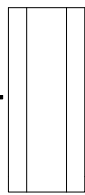
Chimney

Roof



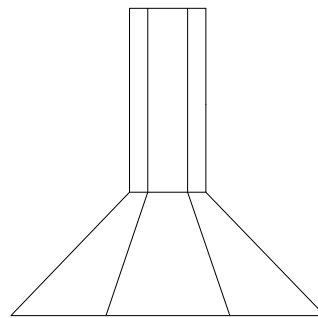
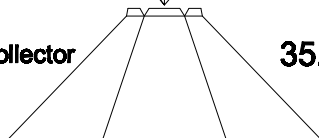
34.

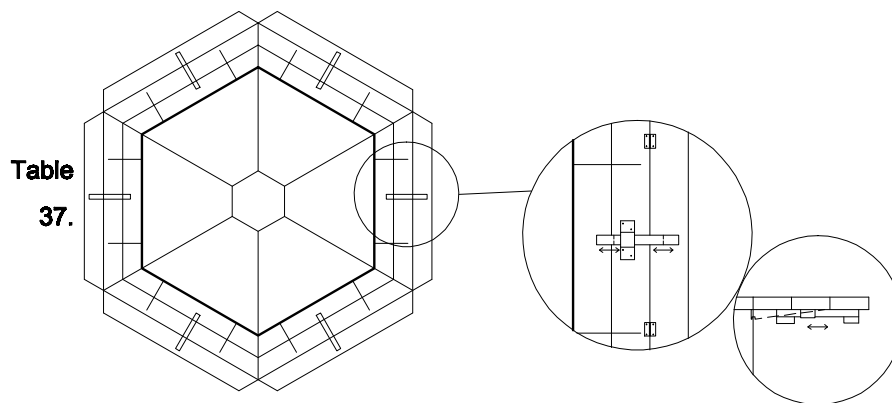
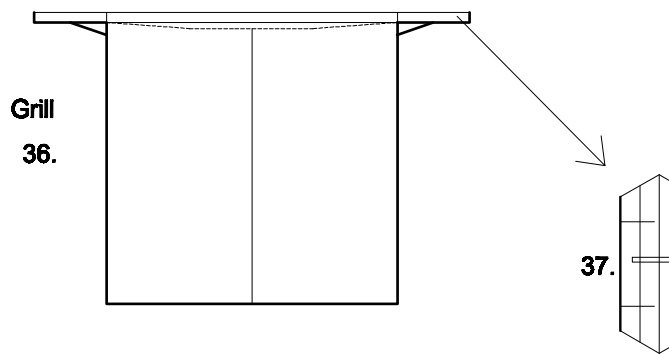
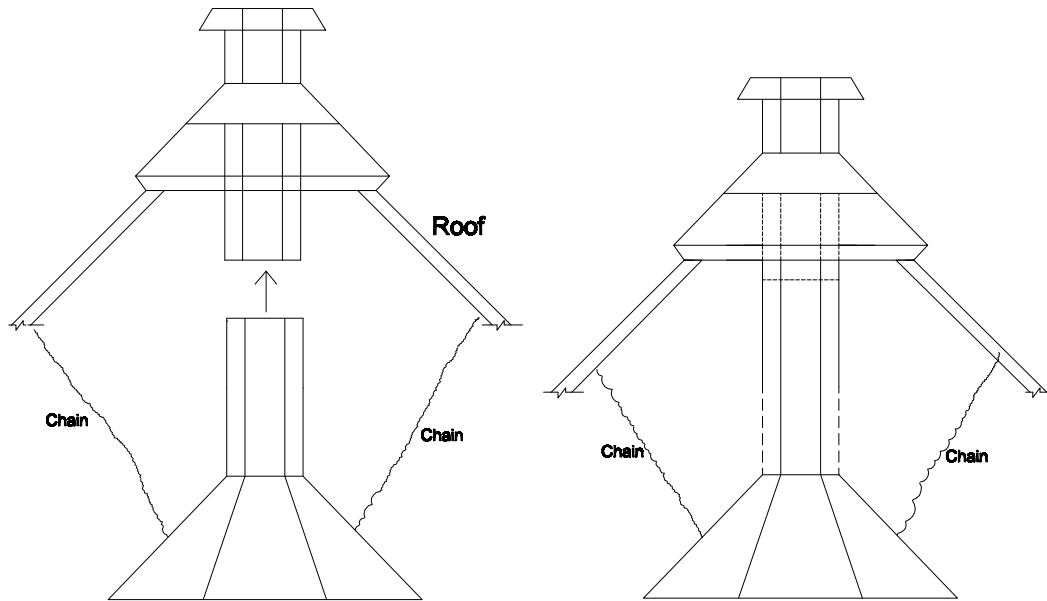
Chimney pipe



Smoke collector

35.





REMARK

- 32. 1 Roof hat
- 33. 1 Chimney
- 34. 1 Chimney pipe
- 35. 1 Smoke collector
- 36. 1 Grill and legs
- 37. 6 Tables around grill
- 38. 3 Chains for smoke collector

Insert the chimney into roof cap.
 Connect the smoke collector with chimney pipe. Place smoke collector up to the desired height and attach it to the roof with chains.